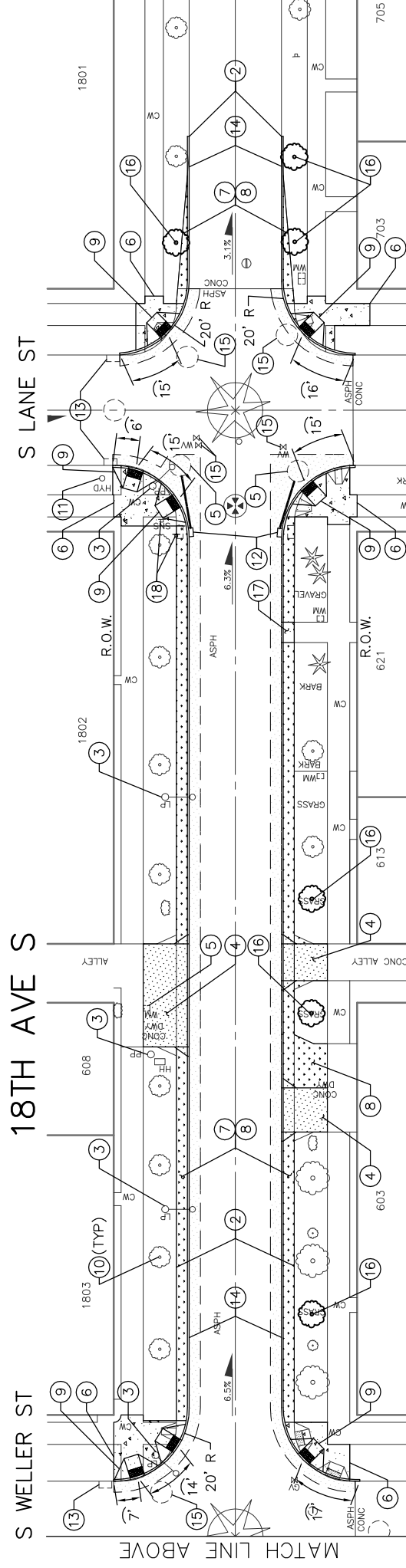


GENERAL NOTES:

1. ROADWAY RESTORATION PER SDOT SIDEWALK AND PAVEMENT OPENING AND RESTORATION RULE.
2. BASE MAP INFORMATION OBTAINED FROM FIELD MEASUREMENTS, NOT FROM A TOPOGRAPHIC SURVEY.
3. VERIFY LAYOUT PRIOR TO CONSTRUCTION. NOTIFY ENGINEER OF DISCREPANCIES.

CONSTRUCTION NOTES:

- 1 REMOVE EX TREE AND REPLACE (SPECIES TBD).
- 2 REMOVE EX CURB TO NEAREST JOINT.
- 3 PRESERVE AND PROTECT EX UTILITY POLE.
- 4 REMOVE EX DRIVEWAY AND REPLACE PER COS STD PLAN 430A.
- 5 ADJUST EX UTILITY TO FINISHED GRADE.
- 6 REMOVE AND REPLACE CEM. CONC. SIDEWALK PER COS STD PLAN 420.
- 7 REMOVE EX PCC SLAB IN PROPOSED LANDSCAPING AREA.
- 8 INSTALL 6" OF TOPSOIL AND HYDROSEED.
- 9 INSTALL ADA RAMP PER COS STD PLAN 422A.
- 10 PRESERVE AND PROTECT EX TREE.
- 11 PRESERVE AND PROTECT EX FIRE HYDRANT.
- 12 INSTALL TYPE 250B INLET. PROVIDE 8" PSD SLOPED AT 5% MIN. CONNECT TO EX CB.
- 13 PRESERVE AND PROTECT EX INLET.
- 14 INSTALL CEM. CONC. CURB PER COS STD PLAN 410C.
- 15 PRESERVE AND PROTECT EX UTILITY.
- 16 INSTALL NEW TREE (SPECIES TBD). NEW TREE LOCATION TO BE FIELD VERIFIED AT TIME OF CONSTRUCTION.
- 17 EXTEND CEM. CONC. SIDEWALK TO STREET.
- 18 REMOVE AND RESET EX SIGN.
- 19 INSTALL 6" OF TOPSOIL. FUTURE LANDSCAPING BY SDOT



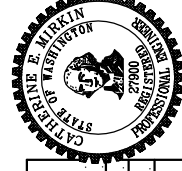
CALL 48 HOURS BEFORE YOU DIG!
1-800-424-5555

springline design LLC
Civil Engineering | Site Development | Transportation
3131 Western Avenue, Suite 501 ph. 206 957 8311
Seattle, WA 98121 fax. 206 957 8313

APPROVED FOR ADVERTISING
XXXXXXXXXXXXXXXXXXXX
DEPARTMENT OF EXECUTIVE ADMINISTRATION
SEATTLE, WASHINGTON
BY: DIRECTOR, CONTRACTING SERVICES

NAME OR INITIALS AND DATE	INITIALS AND DATE
DESIGNED: EEF, JUST 9/08	DESIGNED: DES 9/08
CHECKED: CEM 9/08	CHECKED: SDOT 9/08
DRAWN: NJP 9/08	RECEIVED: 9/08
CHECKED: EEF, CEM 9/08	REVISED AS BUILT: 9/08

ALL WORK DONE IN ACCORDANCE WITH THE CITY OF SEATTLE STANDARD PLANS AND SPECIFICATIONS AND OTHER DOCUMENTS CALLED FOR IN SECTION 0-20.3 OF THE PROJECT MANUAL.



City of Seattle
Seattle Department of Transportation
ORDINANCE NO. 122298 & 12250 APPROVED
FUND: BRIDGING THE GAP, GENERAL FUND
SCALE: H. V. INSPECTOR'S BOOK.

SEATTLE DEPT OF TRANSPORTATION
NEIGHBORHOOD STREET FUND LARGE
PROJECTS PEDESTRIAN IMPROVEMENTS

18TH AVE S FROM S KING ST TO S LANE ST
TRAFFIC CALMING PLAN

T1

100% DESIGN

REVISIONS	DATE	CHK'D	REV'D	DESCRIPTION
MAD				

PC	TS4242C
ON	R/W
BO	CO
CO	TS4242C
VAULT PLAN NO.	#774-551
SHEET	33 OF 39